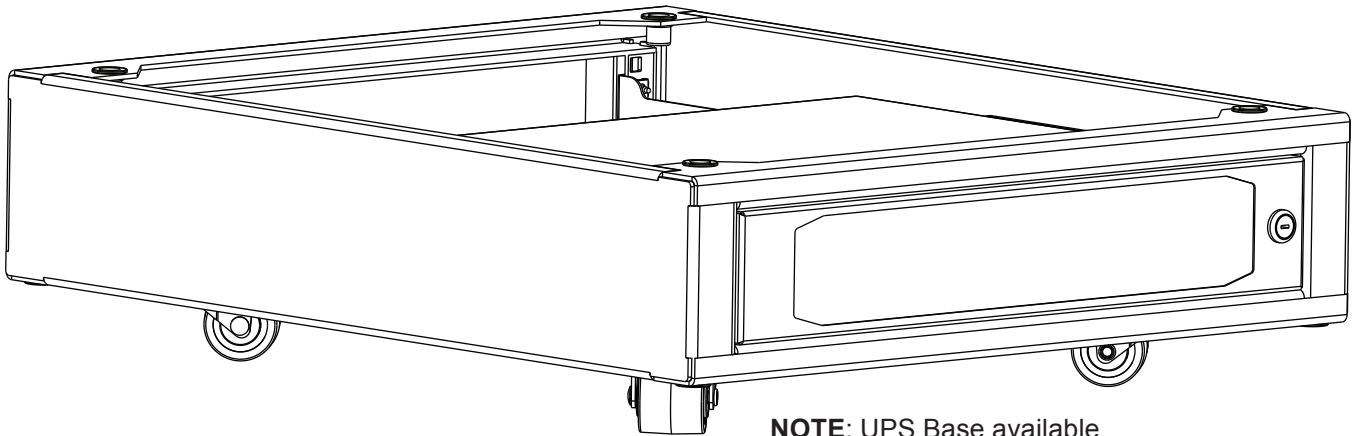


INSTRUCTION SHEET
FORWARD BY MIDDLE ATLANTIC
UPS BASE OPTION



NOTE: UPS Base available
with or without casters.

THANK YOU

Thank you for purchasing the Forward UPS Base option by Middle Atlantic Products. Please read these instructions thoroughly before installing or assembling this product.

PRODUCT FEATURES

- No need for rackmounting! Factory installed UPS-2200R ready to go.
- Compatible with BGR Series enclosures.
- Offered with or without casters.



IMPORTANT SAFETY INSTRUCTIONS

- Read these instructions.
- Heed all warnings.
- Clean only with dry cloth.
- Keep these instructions.
- Follow all instructions.
- Only use attachments/accessories specified by the manufacturer.



DANGER HAZARDOUS VOLTAGE: The lightning flash with the arrowhead symbol, within an equilateral triangle is intended to alert the user to the presence of uninsulated dangerous voltage within the product's enclosure that may be of sufficient magnitude to constitute a risk of electric shock to persons.



WARNING: A warning alerts you to a situation that could result in serious personal injury or death.



CAUTION: A caution alerts you to a situation that may result in minor personal injury or damage to the product and/or property.

NOTE: A note is used to highlight procedures pertaining to the installation, operation, or maintenance of the product.



WARNING: Failure to read, understand and follow the following information can result in serious personal injury, damage to the equipment or voiding of the warranty.



CAUTION: To avoid an unstable condition, place heavier components at the bottom of the enclosure. When more than one component is placed in the enclosure, begin at the bottom of the enclosure and place equipment at the lowest available point, evenly distribute weight (horizontally) within the enclosure.

Component weight should be distributed as follows:

- 1/2 of the total component weight (at a minimum) placed in the bottom third of the cabinet.
- 1/4 of the total component weight (at a maximum) placed in the middle third of the cabinet.
- 1/4 of the total component weight (at a maximum) placed in the top third of the cabinet.



CAUTION: All installation and assembly steps must be performed by qualified personnel.



CAUTION: Ensure that the floor has a structural load capacity that will support the weight of the cabinet fully loaded with equipment.



CAUTION: The following parts are not effectively bonded to the protective earth terminal: Rack rails, lace bars, Lever Lock™, shelves, baffle, blanking panels, fans, and cable management. If any part needs to be bonded to the protective earth terminal it shall be done in accordance with Article 250 of the National Electrical Code.



CAUTION: To reduce the risk of personal injury and conform to the UL listing, the system must be grounded and bonded in accordance with Article 250 of the National Electrical Code.



CAUTION: Power cord, for fans or other accessories, need to be secured to ensure that they are routed away from pinch points and moving parts.



CAUTION: To reduce the risk of personal injury, these mounting instructions must be followed and proper weight capacities must be observed.



CAUTION: Use caution when moving the cabinets with casters installed. There is a possibility of tilting. Always move cabinet over smooth floor surfaces and a short distance only. The enclosure should only be moved by pushing on the front or rear of the cabinet. Do not push from the side.



CAUTION: Casters (if used) are not intended to support excessive cabinet loads for extended periods of time. Please refer to "Weight Rating" for recommended weight capacity. Always use levelers (LF-HD, not provided) to stabilize the cabinet after locating.



CAUTION: Do not attempt to unload or move the enclosures alone. Make sure to have sufficient amount of personnel and equipment to safely move this product.



CAUTION: Watch hands and fingers around pinch points.



CAUTION: Individual components mounted inside of the wall mount rack must have their own fire enclosure.

INSTRUCTIONS IMPORTANTES SUR LA SÉCURITÉ

- Lire ces instructions.
- Respectez tous les avertissements.
- Nettoyer uniquement avec un chiffon sec.
- Conservez ces instructions.
- Suivez toutes les instructions.
- N'utilisez que des accessoires spécifiés par le fabricant.



DANGER TENSION DANGEREUSE: Le symbole de la pointe de flèche, dans un triangle équilatéral, est destiné à alerter l'utilisateur sur la présence de tension dangereuse non isolée dans l'enceinte du produit qui peut être d'une ampleur suffisante pour constituer un risque d'électrocution.



AVERTISSEMENT: Un avertissement vous avertit d'une situation pouvant entraîner des blessures graves ou la mort.



ATTENTION: Une attention vous avertit d'une situation pouvant entraîner des blessures mineures ou des dommages au produit et/ou à la

REMARQUE: Une remarque est utilisée pour mettre en évidence les procédures relatives à l'installation, au fonctionnement ou à l'entretien du produit.



AVERTISSEMENT: Ne pas lire, comprendre et suivre les informations suivantes peut entraîner des blessures graves, des dommages à l'équipement ou de la nullité de la garantie.



ATTENTION: Pour éviter un état instable, placez composants les plus lourds au fond de l'enceinte. Lorsque plus d'un composant est placé dans la enceinte, commencer par le bas de l'enceinte et placer l'équipement à la point le plus bas disponible, de distribuer uniformément le poids (horizontalement) dans le enceinte.

Le poids des composants devrait être réparti comme suit:

- 1/2 du poids total de la composante (au minimum) placé dans le tiers inférieur de l'armoire.
- 1/4 du poids total de la composante (au maximum) placé dans le tiers médian de l'armoire.
- 1/4 du poids total de la composante (au maximum) placé dans le tiers supérieur de l'armoire.



ATTENTION: Toutes installation et de montage étapes doivent être effectuées par du personnel qualifié.



ATTENTION: Veiller à ce que le sol a une capacité de charge structurelle qui supporter le poids de le cabinet entièrement chargé avec l'équipement.



ATTENTION: Les pièces suivantes ne sont pas correctement liés à la borne de terre de protection: rails de rack, des bars de dentelle, Lever Lock™, des étagères, des chicanes, des panneaux d'obturation, ventilateurs, et la gestion des câbles. Si une partie doit être lié à la borne de terre de protection, il doit être fait conformément à l'article 250 du Code national de l'électricité.



ATTENTION: Pour réduire le risque de blessure et se conformer à la liste UL, le système doit être mis à la terre et collé conformément à l'article 250 du Code national de l'électricité.



ATTENTION: Le cordon d'alimentation, pour les fans ou autres accessoires, doivent être fixé à veiller à ce que ils sont acheminés loin des points de pincement et des pièces mobiles.



ATTENTION: Pour réduire le risque de blessures, ces instructions de montage doivent être respectées et les capacités de poids appropriées doivent être respectées.



ATTENTION: Soyez prudent lors du déplacement des armoires à roulettes installées. Il se agit d'un possibilité de basculement. Toujours déplacer l'armoire sur les surfaces lisses et à une courte distance seulement. L'enceinte ne doit être déplacé en poussant sur le devant ou à l'arrière de l'armoire. Faire pas pousser de côté.



ATTENTION: Roulettes (le cas échéant) ne sont pas destinés à supporter des charges excessives du Cabinet pour prolongée périodes de temps. Veuillez vous référer à "Poids Nominal" pour la capacité de poids recommandée. Utilisez toujours des niveleurs (LF-HD, non fournis) pour stabiliser l'armoire après l'emplacement.



ATTENTION: Ne essayez pas de décharger ou déplacer les enceintes seul. Assurez-vous d'avoir quantité suffisante de personnel et de matériel pour déplacer ce produit en toute sécurité.



ATTENTION: Observez les mains et les doigts autour des points de pincement.



ATTENTION: Les composants individuels montés à l'intérieur de montage mural doivent avoir leur propre armoire à incendie.

WEIGHT RATING

Model Number	Weight Rating
FWD-CBS-2KVA-XXXYY	1,000 lb. (454 kg) Maximum Total Rated Load



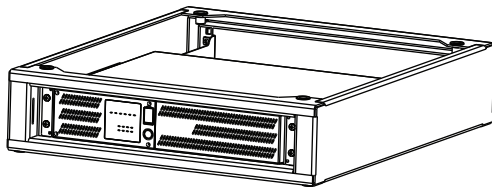
WARNING: This product with casters is intended for use only with the products and maximum weights indicated. Use with other products or products heavier than the maximum weights indicated may result in instability causing possible injury. Total equipment weight must not exceed 1,000 lbs. (454 kg).

AVERTISSEMENT: Cette produit avec roulettes est conçu pour être utilisé uniquement avec les produits et les poids maximum indiqué. uniquement avec les produits et les poids maximaux indiqués. En cas d'utilisation avec d'autres produits ou des produits plus lourds que le poids maximal indiqué, le chariot peut devenir instable et causer des blessures. Le poids total de l'équipement ne doit pas dépasser 454 kg (1,000 lb.).

SUPPLIED COMPONENTS AND HARDWARE

NOTE: The panels are not preinstalled on the UPS base (as shown in these instructions) when the option is purchased as part of a preconfigured Forward enclosure, but are preinstalled when the option is purchased by itself.

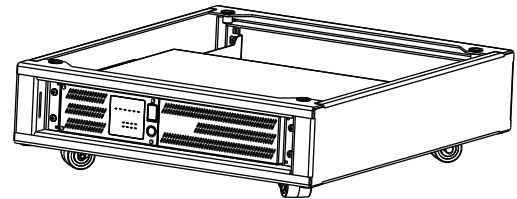
UPS BASE WITH CASTERS (MODEL NO. FWD-BS-2KVA-XXXYY)



UPS Base
(UPS 2200R Preinstalled)

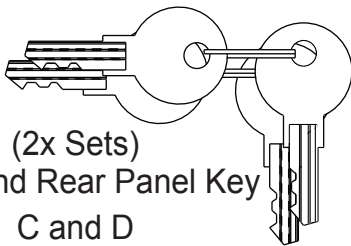
A

UPS BASE WITH CASTERS (MODEL NO. FWD-CBS-2KVA-XXXYY)



UPS Base With Casters
(UPS 2200R and Casters Preinstalled)

B



(2x Sets)
Front and Rear Panel Key
C and D

Key ID #	Key Finished Good #
B399A-FD	SFD-KEY
B644A-RD	SRD-KEY



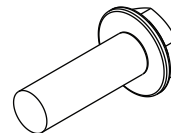
Front Panel

E



Rear Panel

F



(4x) UPS Base Bolts

G

REQUIRED TOOLS

$\frac{3}{4}$ " Wrench



WARNING: Use tools with caution and follow all necessary safety protocols.

AVERTISSEMENT: Utiliser des outils avec prudence et suivre tous les protocoles de sécurité nécessaires.

INTRODUCTION

This instruction sheet shows you how to attach your rack onto your UPS base option.

NOTE: For information specific to UPS operation, refer to the "UPS-2200R Series Rackmounted Uninterruptible Power Supply Instruction Sheet" (I-00319) and other resources at www.middleatlantic.com or www.middleatlantic.com/products/power/ups-backup-power-systems/ups-backup-power-systems/ups-2200r.aspx

INTRODUCTION (CONTINUED)

NOTE: The panels are not preinstalled on the UPS base (as shown in these instructions) when the option is purchased as part of a preconfigured Forward enclosure, but are preinstalled when the option is purchased by itself.

INSTALLING OR REMOVING THE PANELS

1. If not part of a preconfigured Forward enclosure, remove your UPS Base option (A or B) from all packaging and leave it on the ground.

NOTE: If purchased as part of a preconfigured Forward enclosure, unpack your product using the unpacking instructions (100-00018) at www.middleatlantic.com.

2. Use your keys (C and D) to operate the locks on front (E) and rear (F) panels in order to distinguish them, as shown.

NOTE: Distinguish front (E) and rear (F) panels by matching corresponding front (C) and rear (D) key ID #s. (FIGURE A)

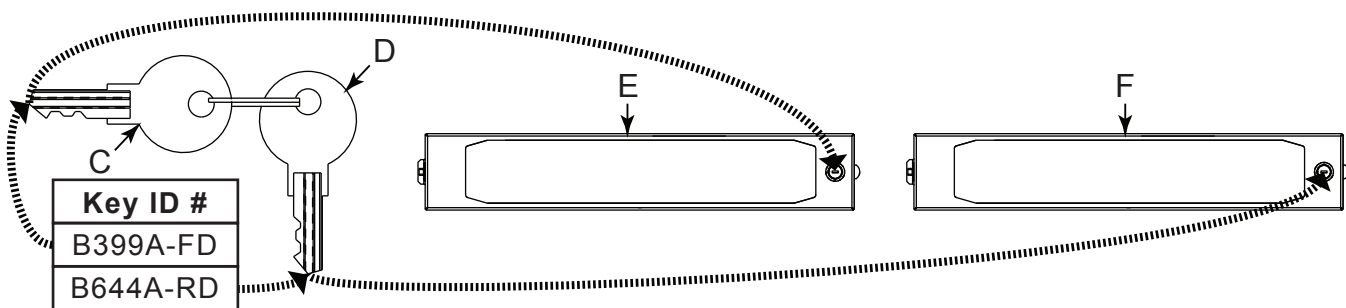
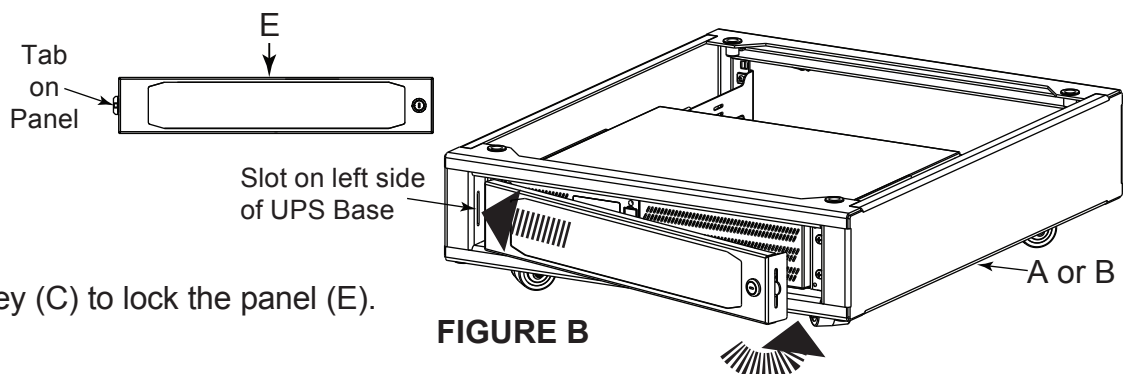


FIGURE A

3. Use the front panel key (C) to open the lock on the front panel (E).
4. With the key still in the lock and the lock still open, insert the tab on the front panel (E) into the slot on the left side (facing) of the front panel opening on the UPS Base (A or B) as shown. (FIGURE B)

NOTE:

- Key not shown in lock on panel for clarity.
- The panel may be reversed, with the tab going in the slot on the right side (facing) of the front panel opening, if desired.

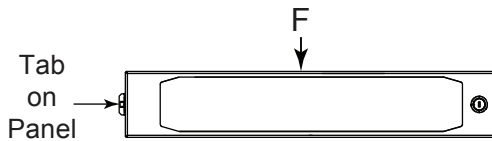


5. Use the front panel key (C) to lock the panel (E).

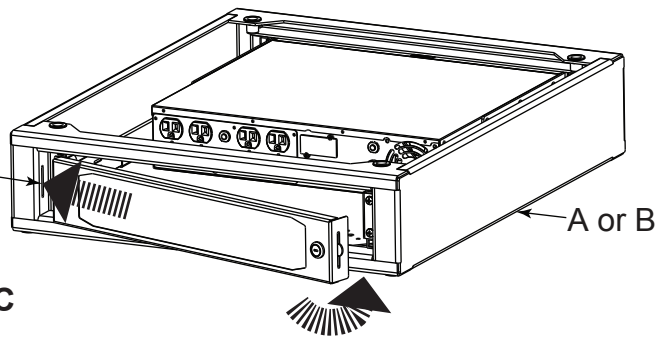
FIGURE B

INSTALLING OR REMOVING THE PANELS (CONTINUED)

- Repeat steps 2 - 5 using the rear panel key (D) to attach the rear panel (F) to the opposite side of your UPS Base (A or B) as shown. (FIGURE C)



Slot on left side of UPS Base



NOTE: Key not shown in lock on panel for clarity.

FIGURE C

- Reverse steps 3 - 6 to remove panels.

ATTACHING THE RACK TO YOUR UPS BASE OPTION

- Position your UPS Base (A or B) on the ground and as close as possible to your desired final location.

NOTE:

- It's much more important to position a UPS Base without casters as close as possible to your desired final location.
- Make sure the front of the UPS Base (and the UPS unit inside) is facing your desired direction.
- Optional Leveling Feet (LF-HD) are available for a UPS Base with or without casters.
- Holes are provided on the bottom of the UPS Base for bolting to the floor, if desired. For more information, refer to the technical specification (120-00003) at www.middleatlantic.com.

- If you purchased the optional leveling feet, install them now and completely tighten them to the bottom of the base.

- Carefully team lift your rack and place it onto the top of the UPS Base (A or B) as shown. (FIGURE D)

- Use a $\frac{3}{4}$ " wrench and (4x) UPS Base bolts (G, one in each corner) to attach the rack to the base by putting the bolts through the holes in the bottom corners of the rack and into the threaded holes on the top of the UPS Base (A or B).

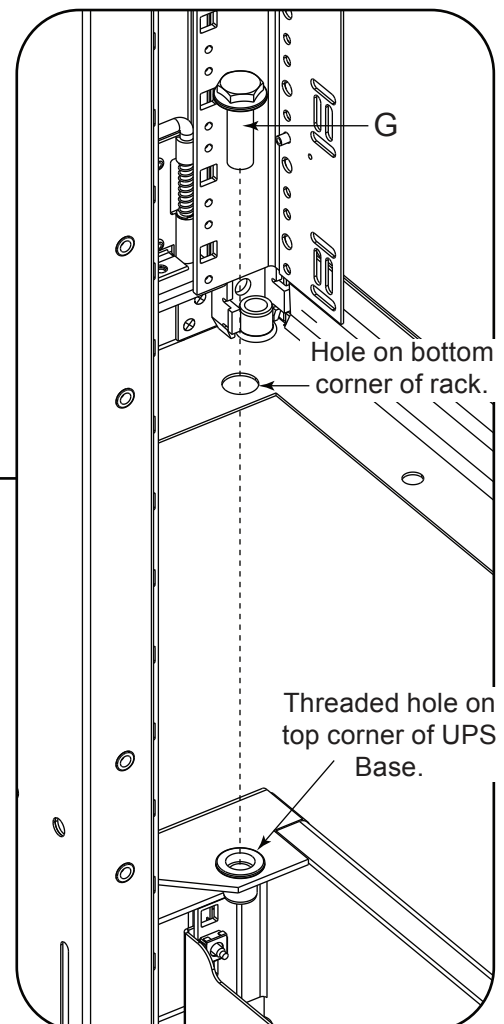
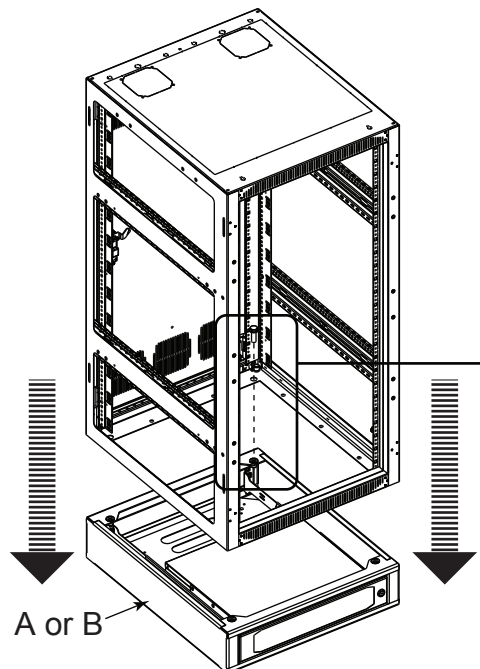


FIGURE D

- If you purchased and installed the optional leveling feet, loosen them now until they properly stabilize your rack in its final location.

BONDING THE UPS BASE OPTION

1. Attach bonding wire (not provided) to a bonding stud located on either side of the UPS Base (A or B). (FIGURE E)
2. Properly attach the other end of the bonding wire (not provided) to main protective earth terminal (PET) on the rack.



CAUTION: A bonding wire (not provided) must be used when attaching the UPS base to ensure proper bonding.

ATTENTION: Le fil de liaison (non fourni) doit être utilisé lors de la fixation de la porte pour assurer une liaison correcte.

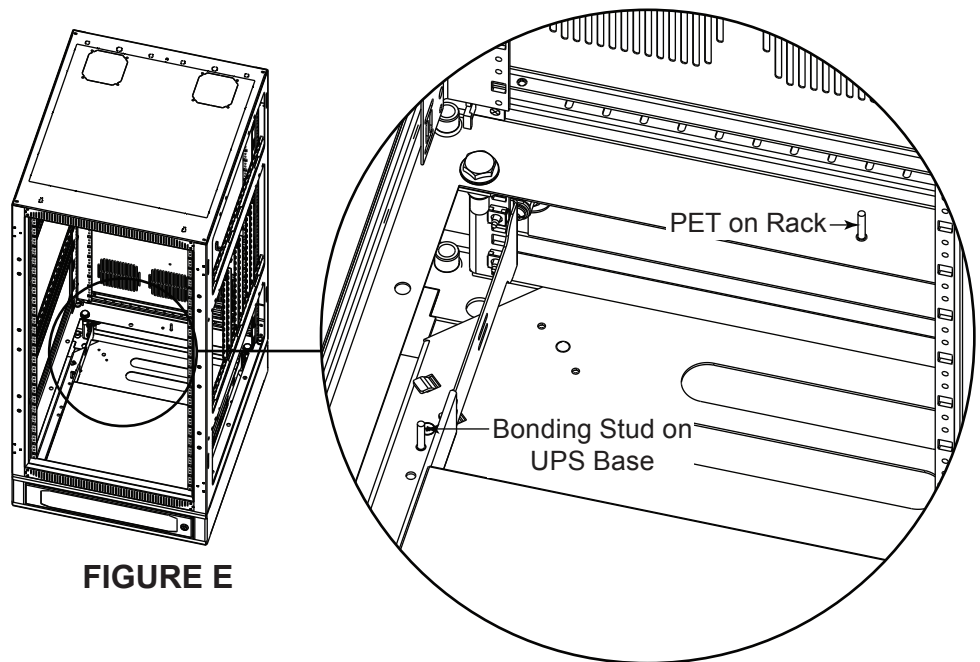


FIGURE E

WARRANTY

For warranty information, refer to <http://www.middleatlantic.com/company/about-us.aspx#warranty>

Corporate Headquarters

Voice: 973-839-1011 - Fax: 973-839-1976 - International Voice: +1 973-839-8821 -
Fax: +1 973-839-4982 - www.middleatlantic.com - info@middleatlantic.com

Middle Atlantic Canada

Voice: 613-836-2501 - Fax: 613-836-2690 - ca.middleatlantic.com -
customerservicecanada@middleatlantic.ca

Middle Atlantic EMEA Technical Support

Voice: +31 (0) 495 726002 - av.emea.middleatlantic.support@legrand.com

Factory Distribution

United States: New Jersey, California, Illinois - Canada: Ontario - The Netherlands: Weert

At Middle Atlantic Products we are always listening. Your comments are welcome.

Middle Atlantic Products is an ISO 9001 and ISO 14001 Registered Company.



Middle Atlantic Products

what great systems are built on™

middleatlantic.com ■ 800.266.7225